



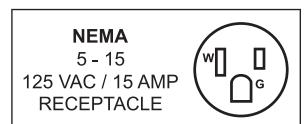
***Glass Polisher***  
***Model GP-CN-0005***  
***Item 44516***  
***Instruction Manual***



*Revised - 04/09/2019*



Toll Free: 1-800-465-0234  
Fax: 905-607-0234  
Email: [service@omcan.com](mailto:service@omcan.com)  
[www.omcan.com](http://www.omcan.com)



# ***Table of Contents***

Model GP-CN-0005

---

<b>Section</b>	<b>Page</b>
General Information -----	3 - 4
Safety and Warranty -----	4 - 6
Technical Specifications -----	6
Installation -----	6 - 7
Operation -----	7
Maintenance -----	8
Troubleshooting -----	8
Parts Breakdown -----	9 - 10
Electrical Schematics -----	11
Notes -----	12 - 14
Warranty Registration -----	15



# General Information

---

Omcan Manufacturing and Distributing Company Inc., Food Machinery of America, Inc. dba Omcan and Omcan Inc. are not responsible for any harm or injury caused due to any person's improper or negligent use of this equipment. The product shall only be operated by someone over the age of 18, of sound mind, and not under the influence of any drugs or alcohol, who has been trained in the correct operation of this machine, and is wearing authorized, proper safety clothing. Any modification to the machine voids any warranty, and may cause harm to individuals using the machine or in the vicinity of the machine while in operation.

## CHECK PACKAGE UPON ARRIVAL

Upon receipt of an Omcan shipment please inspect for external damage. If no damage is evident on the external packaging, open carton to ensure all ordered items are within the box, and there is no concealed damage to the machine. If the package has suffered rough handling, bumps or damage (visible or concealed), please note it on the bill of lading before accepting the delivery and contact Omcan within 24 hours, so we may initiate a claim with the carrier. A detailed report on the extent of the damage caused to the machine must be filled out within three days, from the delivery date shown in the shipping documents. Omcan has no recourse for damaged products that were shipped collect or third party.

**Before operating any equipment, always read and familiarize yourself with all operation and safety instructions.**

Omcan would like to thank you for purchasing this machine. It's of the utmost importance to save these instructions for future reference. Also save the original box and packaging for shipping the equipment if servicing or returning of the machine is required.

---

Omcan Fabrication et distribution Compañie Limité et Food Machinery d'Amérique, dba Omcan et Omcan Inc. ne sont pas responsables de tout dommage ou blessure causé du fait que toute personne ait utilisé cet équipement de façon irrégulière. Le produit ne doit être exploité que par quelqu'un de plus de 18 ans, saine d'esprit, et pas sous l'influence d'une drogue ou d'alcool, qui a été formé pour utiliser cette machine correctement, et est vêtu de vêtements de sécurité approprié. Toute modification de la machine annule toute garantie, et peut causer un préjudice à des personnes utilisant la machine ou des personnes à proximité de la machine pendant son fonctionnement.

## VÉRIFIEZ LE COLIS DÈS RÉCEPTION

Dès réception d'une expédition d'Omcan veuillez inspecter pour dommages externes. Si aucun dommage n'est visible sur l'emballage externe, ouvrez le carton afin de s'assurer que tous les éléments commandés sont dans la boîte, et il n'y a aucun dommage dissimulé à la machine. Si le colis n'a subi aucune mauvaises manipulations, de bosses ou de dommages (visible ou cachée), notez-le sur le bond de livraison avant d'accepter la livraison et contactez Omcan dans les 24 heures qui suivent, pour que nous puissions engager une réclamation auprès du transporteur. Un rapport détaillé sur l'étendue des dommages causés à la machine doit être rempli dans un délai de trois jours, à compter de la date de livraison indiquée dans les documents d'expédition. Omcan n'a aucun droit de recours pour les produits endommagés qui ont été expédiés ou cueilli par un tiers transporteur.

# General Information

---

Avant d'utiliser n'importe quel équipement, toujours lire et vous familiariser avec toutes les opérations et les consignes de sécurité.

Omcan voudrais vous remercier d'avoir choisi cette machine. Il est primordial de conserver ces instructions pour une référence ultérieure. Également conservez la boîte originale et l'emballage pour l'expédition de l'équipement si l'entretien ou le retour de la machine est nécessaire.

---

Omcan Empresa De Fabricacion Y Distribucion Inc. Y Maquinaria De Alimentos De America, Inc. dba Omcan y Omcan Inc. no son responsables de ningun daño o perjuicio causado por cualquier persona inadecuada o el uso descuidado de este equipo. El producto solo podra ser operado por una persona mayor de 18 años, en su sano juicio y no bajo alguna influencia de droga o alcohol, y que este ha sido entrenado en el correcto funcionamiento de esta máquina, y ésta usando ropa apropiada y autorizada. Cualquier modificación a la máquina anula la garantía y puede causar daños a las personas usando la máquina mientras esta en el funcionamiento.

## REVISE EL PAQUETE A SU LLEGADA

Tras la recepcion de un envio Omcan favor inspeccionar daños externos. Si no hay daños evidentes en el empaque exterior, Habra el carton para asegurarse que todos los articulos solicitados estén dentro de la caja y no encuentre daños ocultos en la máquina. Si el paquete ha sufrido un manejo de poco cuidado, golpes o daños (visible o oculto) por favor anote en la factura antes de aceptar la entrega y contacte Omcan dentro de las 24 horas, de modo que podamos iniciar una reclamación con la compañía. Un informe detallado sobre los daños causados a la máquina debe ser llenado en el plazo de tres días, desde la fecha de entrega que se muestra en los documentos de envío. Omcan no tiene ningun recurso por productos dañados que se enviaron a recoger por terceros.

Antes de utilizar cualquier equipo, siempre lea y familiarizarse con todas las instrucciones de funcionamiento y seguridad.

Omcan le gustaría darle las gracias por la compra de esta máquina. Es de la mayor importancia para salvar estas instrucciones para futuras consultas. Además, guarda la caja original y el embalaje para el envío del equipo si servicio técnico o devolución de la máquina que se requiere.

# Safety and Warranty

---

## IMPORTANT SAFETY INFORMATION

When using electrical appliances, basic safety precautions should always be followed, including the following:

1. READ ALL INFORMATION BEFORE USE.
2. For commercial only.
3. Do not touch hot surfaces.
4. Protect against electrical shock by keeping all cords, plugs, and other electrical components away from



# Safety and Warranty

---

water or other liquids.

5. Unplug this unit when not in use and before cleaning.
6. Allow the unit to cool before putting on or taking off parts.
7. Do not operate this or any appliance with a damaged electrical cord or plug.
8. Do not operate this or any appliance after it has malfunctioned or been damaged in any way.
9. Do not use outdoors.
10. Do not place on or near a hot gas or electric burner.
11. Disconnect the unit by turning the temperature and timer control to "OFF", then removing the electrical plug from the wall outlet.
12. Do not use appliance for any application other than design use.
13. Do not allow this glass polisher to touch or be covered by flammable material, such as curtains, draperies, walls, etc., when in operation.
14. Do not clean with metal scouring pads as pieces can break off and touch electrical components, heightening the risk of electrical shock.
15. Do not cover interior of this unit with metal foil as it may cause the oven to overheat.
16. Do not place sharp or sharp corner objects around the product to avoid scratching the surface.
17. Turn the appliance off by turning control knob to the "OFF" position.
18. Note that the use of accessories not recommended by the manufacturer may result in injury.
19. Children must be supervised before using this product.
20. This appliance can be used by children aged from 8 years old and above and persons with reduced physical, sensory or mental capabilities or lack of experience and knowledge if they have been given supervision or instruction concerning use of the appliance in a safe way and understand the hazards involved. Children shall not play with the appliance. Cleaning and user maintenance shall not be made by children without supervision.
21. When using the appliance in shops, snack bars, hotels etc., check the voltage and outlet to make sure the appliance is correctly connected with power.
22. Place unit on a flat surface that is well ventilated.

## 1 YEAR PARTS AND LABOUR BENCH WARRANTY

**Within the warranty period, contact Omcan Inc. at 1-800-465-0234 to schedule a drop off to either an Omcan authorized service depot in the area, or to an Omcan Service warehouse to repair the equipment.**

**Unauthorized maintenance will void the warranty. Warranty covers electrical and part failures, not improper use.**

**Please see <https://omcan.com/disclaimer> for complete info.**

### **WARNING:**

The packaging components are classified as normal solid urban waste and can therefore be disposed of without difficulty.

**In any case, for suitable recycling, we suggest disposing of the products separately (differentiated**

# Safety and Warranty

---

waste) according to the current norms.

**DO NOT DISCARD ANY PACKAGING MATERIALS IN THE ENVIRONMENT!**

# Technical Specifications

---

<b>Model</b>	<b>GP-CN-0005</b>
<b>Number of Brushes</b>	5
<b>Power</b>	1350 W / 1.8 HP
<b>Electrical</b>	120V / 60Hz
<b>Dimensions</b>	13.4" x 12" x 20" / 340 x 305 x 510mm
<b>Weight</b>	33 lbs. / 15 kgs.
<b>Item Number</b>	44516

# Installation

---

Before using your glass polisher, please follow these simple instructions. Failing to do so may cause injury to the user and damage the machine:

1. Install the machine on a flat surface of a sink and make sure the machine is upright and stable.
2. Attach air blower onto the base with screw provided, make sure the outlet is centered.
3. Assemble the brushes and check that they are securely in place. The brush is made of microfiber, during the working process, the hot air coming out from air blower to keep brushes dry for maintain a good polisher effect, wet brushes do not dry and polish the cup. Always keep the brush as dry is essential. At busy time, if the brush cannot be dried in time, please stop working for 20 minutes and let the machine working so that the brush can be dried in hot air.

**WARNING:** Plug the unit into grounded outlets only that match the unit's voltage and frequency listed on the motor!

**WARNING:** Check the electric cord and plug to make sure it is clean and dry before using!

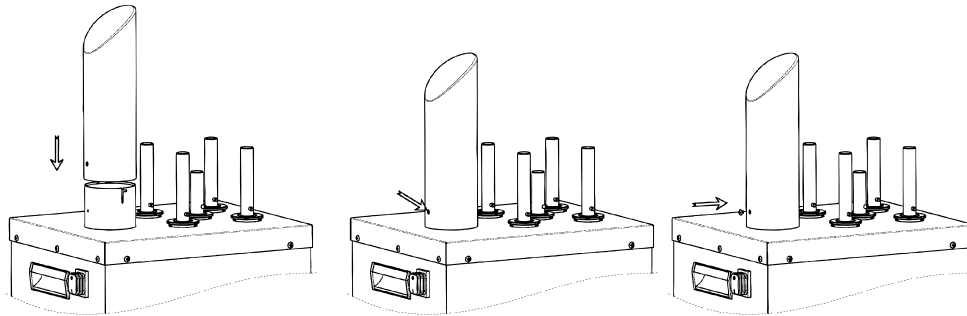
**WARNING:** The SWITCH must NOT contact the water, keep it dry!

**CAUTION:** Check and make sure the brushes are securely in place before turning on the machine!

**CAUTION:** Do NOT use the machine for any other purpose than its intended design!

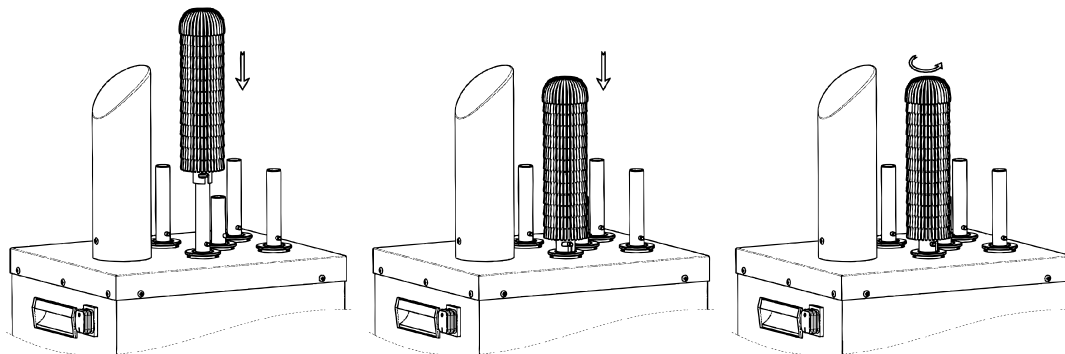
# Installation

## ASSEMBLY INSTRUCTIONS OF AIR BLOWER



Assemble air blower onto the hot-air pipe base, adjust proper direction by rotation, align the oval hole on the air blower with the screw hole on the hot-air pipe, then tighten the screws.

## ASSEMBLY INSTRUCTIONS OF BRUSHES



Assemble brushes handle onto drive shaft base, rotate it anti-clockwise to make the notch on the brush handle lock into the transverse pin of drive shaft (**Note: The short brush should be inserted onto center post**).

# Operation

Follow the below steps in order to get the desired results.

1. Plug in the machine.
2. Switch on machine.
3. Grasp glass at the base and insert onto center brush.
4. Dry and polish the glass for approximately 12-13 seconds.  
**Note: Holding the glass with a slight-left or right spin to get better results.**
5. Repeat Steps 3 and 4 as necessary.
6. Switch off the machine and unplug while not in use.

# Maintenance

---

## CLEANING & MAINTAINING YOUR GLASS POLISHER

- To clean, ensure glass polisher is OFF and unplug cord from the outlet.
- Wait for the glass washer to cool down.
- Clean external surface of glass polisher daily using a damp cloth or sponge. Do not immerse the whole unit into water or washing it in running water as this will cause serious damage to the unit.
- When closing for the day, operate the machine for 20 minutes to dry the brushes as will ensure the use efficiency in next working cycle.

## Troubleshooting

---

Problem	Possible Solution
The glass polisher does not work after being switched on.	Make sure glass polisher is plugged in correctly.
	Be sure it is switched on.
	Call Omcan.
There is a very loud noise when the glass washer is in use.	Do not attempt to dismantle the glass washer.
	Check the brush is securely in place.
	Contact Omcan right away to examine the motor and inside gears.
The brush spin cycle is slow and the glasses are not polished properly.	Check to see if something is jammed inside the brushes.
	Contact Omcan right away to examine the motor and inside gears.
The brush loose or fracture.	Check the brush is securely in place and holder is in correct position.
	Replace the old brushes regularly.

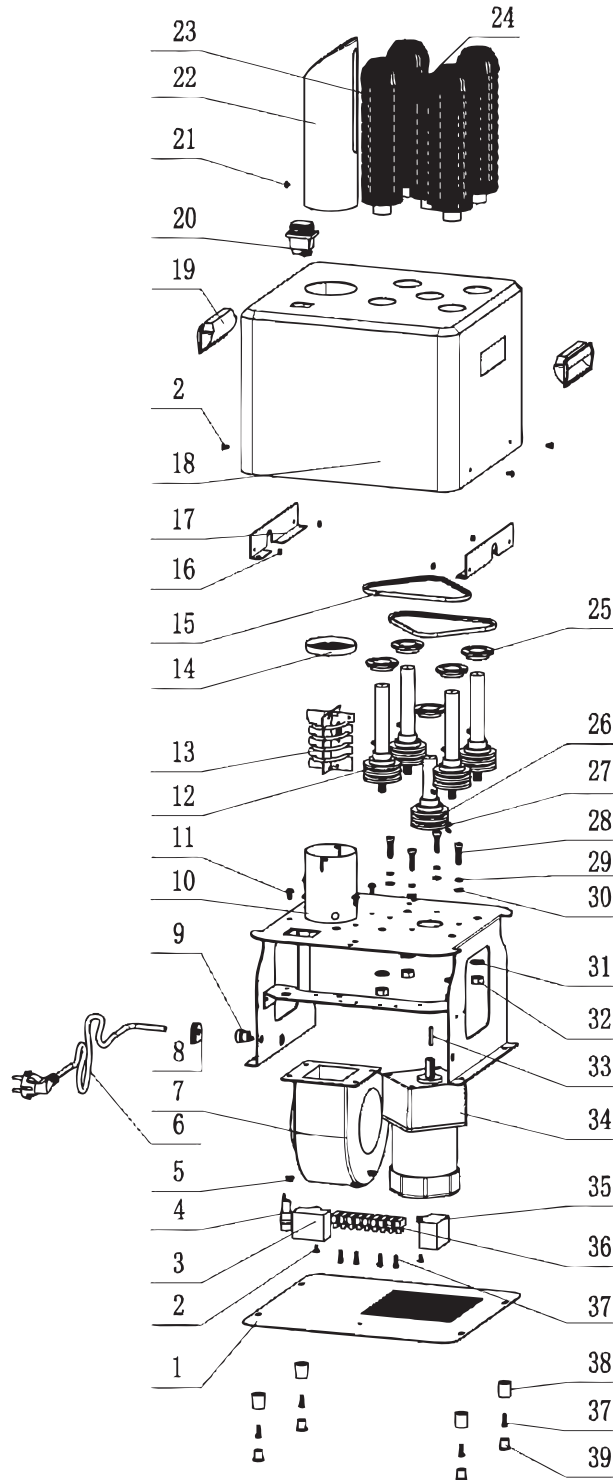
## REFERENCE

Item Number	Model Number	Description	Manufacturer Model Number
44516	GP-CN-0005	Glass Polisher Five Brush 1350W / 1.8HP 120V/60HZ	FM-11



# Parts Breakdown

Model GP-CN-0005 44516



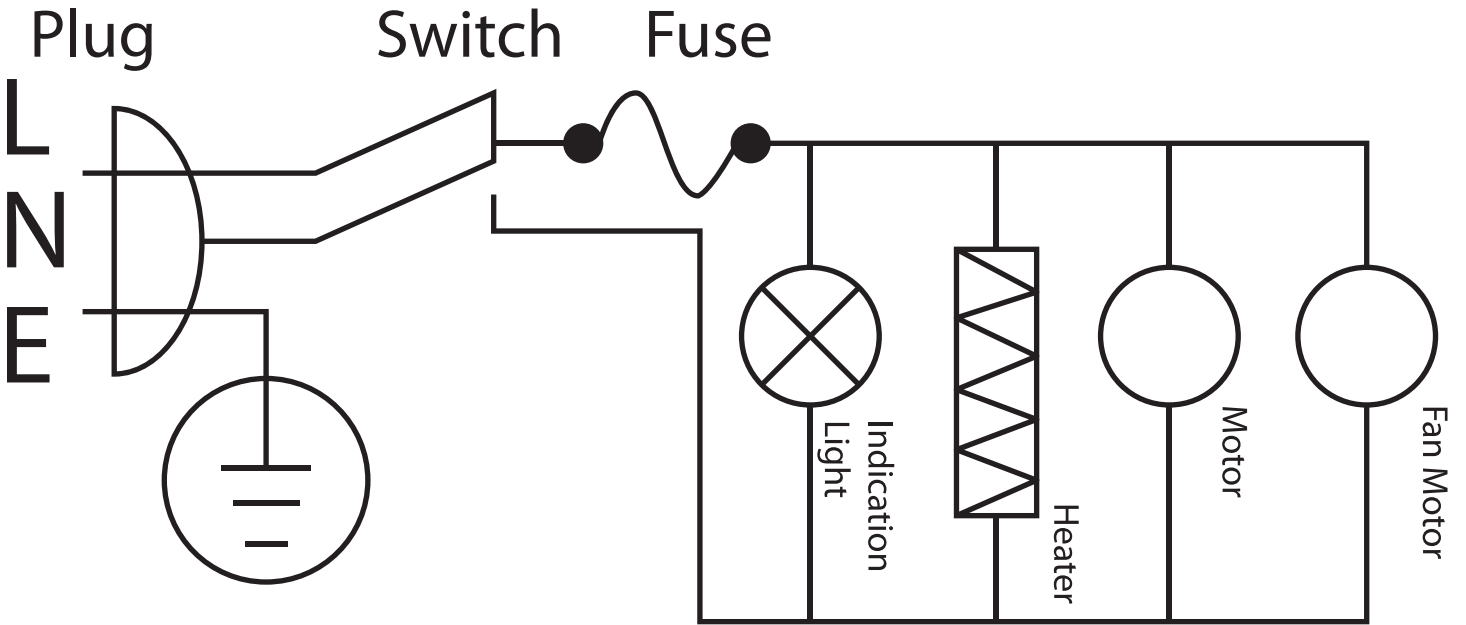
# Parts Breakdown

## Model GP-CN-0005 44516

Item No.	Description	Position	Item No.	Description	Position	Item No.	Description	Position
68861	Bottom Plate Assembly for FM-11	1	68884	Heating Element Pressure Ring for FM-11	14	68897	M4x10 Hexagon Stud for FM-11	27
68862	M4x8 Large Flat Head Screw for FM-11	2	68885	Belt for FM-11	15	68898	M6x20 Hexagon Screw for FM-11	28
68863	Capacitor 1 for FM-11	3	68886	M4 Hex Screw Nut for FM-11	16	68899	Ø6 Spring Pad for FM-11	29
68864	Fuse for FM-11	4	68887	Shell Support Bar for FM-11	17	68900	Ø6 Flat Pad for FM-11	30
68865	M5 Hex Flange Nut for FM-11	5	68888	Shell for FM-11	18	68901	Ø10 Non-Slip Pad for FM-11	31
68876	Power Cord for FM-11	6	68889	Handle for FM-11	19	68902	M10 Lock-Proof Hex Nut for FM-11	32
68877	Fan Motor for FM-11	7	68890	Power Switch for FM-11	20	68903	Joint Block for FM-11	33
68878	Power Cord Fixture for FM-11	8	68891	M4x4 Flat Head Screw for FM-11	21	68904	Motor for FM-11	34
68879	Wire Buckle for FM-11	9	68892	Hot Air Pipe for FM-11	22	68905	Capacitor 2 for FM-11	35
68880	Frame Bracket Assembly for FM-11	10	68893	Long Brush for FM-11	23	68906	Terminal for FM-11	36
68881	M5x12 Round Head Screw for FM-11	11	68894	Short Brush for FM-11	24	68907	M4x16 Round Screw for FM-11	37
68882	Shaft Assembly for FM-11	12	68895	Shaft Cover (Optional) for FM-11	25	68908	Foot for FM-11	38
68883	Heating Element for FM-11	13	68896	Drive Shaft for FM-11	26	68909	Foot Pad for FM-11	39

# Electrical Schematics

Model GP-CN-0005 44516











# Warranty Registration

Thank you for purchasing an Omcan product. To register your warranty for this product, complete the information below, tear off the card at the perforation and then send to the address specified below. You can also register online by visiting:

Merci d'avoir acheté un produit Omcan. Pour enregistrer votre garantie pour ce produit, complétez les informations ci-dessous, détachez la carte au niveau de la perforation, puis l'envoyer à l'adresse spécifiée ci-dessous. Vous pouvez également vous inscrire en ligne en visitant:

Gracias por comprar un producto Omcan usted. Para registrar su garantía para este producto, complete la información a continuación, cortar la tarjeta en la perforación y luego enviarlo a la dirección indicada a continuación. También puede registrarse en línea en:

<https://omcan.com/warranty-registration/>

For mailing in Canada

Pour postale au Canada

Por correo en Canadá

**OMCAN**

PRODUCT WARRANTY REGISTRATION

3115 Pepper Mill Court,

Mississauga, Ontario

Canada, L5L 4X5

For mailing in the US

Pour diffusion aux États-Unis

Por correo en los EE.UU.

**OMCAN**

PRODUCT WARRANTY REGISTRATION

4450 Witmer Industrial Estates, Unit 4,

Niagara Falls, New York

USA, 14305

*or email to: [service@omcan.com](mailto:service@omcan.com)*



Purchaser's Information

Name: \_\_\_\_\_

Address: \_\_\_\_\_

City: \_\_\_\_\_ Province or State: \_\_\_\_\_ Postal or Zip: \_\_\_\_\_

Country: \_\_\_\_\_

Dealer from which Purchased: \_\_\_\_\_

Dealer City: \_\_\_\_\_ Dealer Province or State: \_\_\_\_\_

Invoice: \_\_\_\_\_

Model Name: \_\_\_\_\_ Model Number: \_\_\_\_\_

Machine Description: \_\_\_\_\_

Date of Purchase (MM/DD/YYYY): \_\_\_\_\_

Would you like to extend the warranty?  Yes  No

Company Name: \_\_\_\_\_

Telephone: \_\_\_\_\_

Email Address: \_\_\_\_\_

Type of Company:

Restaurant  Bakery  Deli

Butcher  Supermarket  Caterer

Institution (*specify*): \_\_\_\_\_

Other (*specify*): \_\_\_\_\_

Serial Number: \_\_\_\_\_

Date of Installation (MM/DD/YYYY): \_\_\_\_\_

**Thank you for choosing Omcan | Merci d'avoir choisi Omcan | Gracias por elegir Omcan**



Since 1951 Omcan has grown to become a leading distributor of equipment and supplies to the North American food service industry. Our success over these many years can be attributed to our commitment to strengthen and develop new and existing relationships with our valued customers and manufacturers. Today with partners in North America, Europe, Asia and South America, we continually work to improve and grow the company. We strive to offer customers exceptional value through our qualified local sales and service representatives who provide convenient access to over 5,000 globally sourced products.

---

Depuis 1951 Omcan a grandi pour devenir un des “leaders” de la distribution des équipements et matériel pour l’industrie des services alimentaires en Amérique du Nord. Notre succès au cours de ces nombreuses années peut être attribué à notre engagement à renforcer et à développer de nouvelles et existantes relations avec nos clients et les fabricants de valeur. Aujourd’hui avec des partenaires en Amérique du Nord, Europe, Asie et Amérique du Sud, nous travaillons continuellement à améliorer et développer l’entreprise. Nous nous efforçons d’offrir à nos clients une valeur exceptionnelle grâce à nos ventes locales qualifiées et des représentants de service qui offrent un accès facile à plus de 5000 produits provenant du monde entier.

---

Desde 1951 Omcan ha crecido hasta convertirse en un líder en la distribución de equipos y suministros de alimentos en América del Norte industria de servicios. Nuestro éxito en estos años se puede atribuir a nuestro compromiso de fortalecer y desarrollar nuevas relaciones existentes con nuestros valiosos clientes y fabricantes. Hoy con socios de América del Norte, Europa, Asia y América del Sur, que trabajan continuamente para mejorar y crecer la empresa. Nos esforzamos por ofrecer a nuestros clientes valor excepcional a través de nuestro local de ventas y representantes de los servicios que proporcionan un fácil acceso a más de 5,000 productos con origen a nivel mundial.

